

# Promenade™ Pet Stroller

Model Number G2340



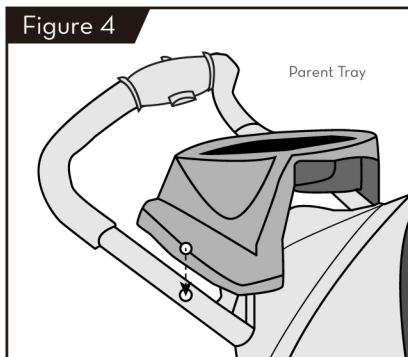
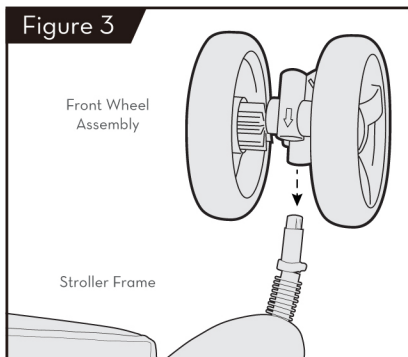
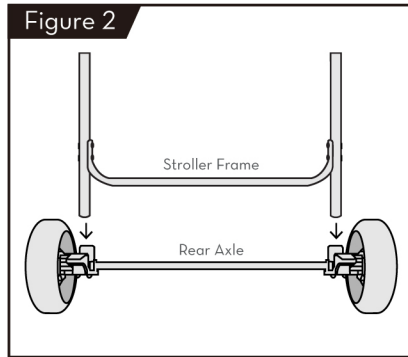
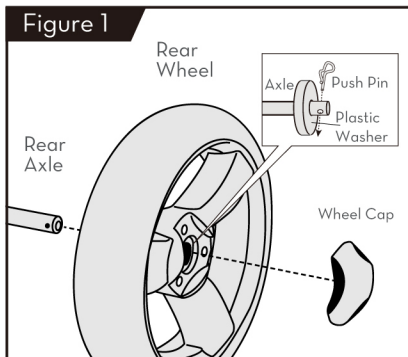
Gen7Pets™

*For people who love life with their pets*

## Welcome to Gen7Pets

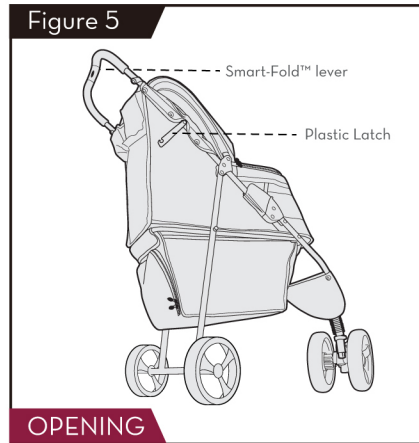
We understand how important pets are. They are part of our family and we want the best for them. That's why Gen7Pets offers innovative products designed with your pet in mind, quality manufacturing and incredible customer service.

### PUTTING IT ALL TOGETHER

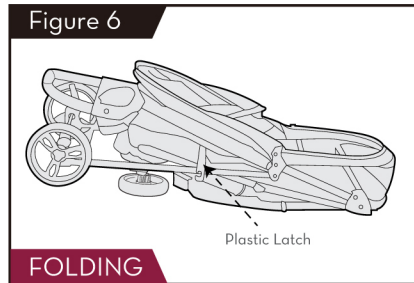


- Using the push pins and plastic washers, assemble the wheels onto the rear axle as seen in **Figure 1**.
- Attach the rear wheel axle to the stroller frame as seen in **Figure 2**. Push firmly until both sides lock into place.
- Turn stroller upside down. Place the front wheel assembly onto the front stroller leg, with the arrow facing DOWN, as seen in **Figure 3**. Push firmly until it snaps into place.
- With the stroller in upright position, align the parent tray with the holes on either side of the handle. Snap each side into place by pressing firmly. See **Figure 4**.

## USING YOUR STROLLER



- Unlatch the plastic latch on the side of the stroller frame as seen in **Figure 5**.
- Pull the stroller open into the upright position until it snaps locked into place.



- Unzip the pet compartment and remove any items from the storage basket.
- Using the Smart-Fold™ lever on the handle...
  1. Push the lever to the left with your thumb
  2. Squeeze the release handle while twisting the handle forward to fold the frame in half
  3. If necessary, turn the front wheel assembly to the right or left so that it lies flat
- Secure the plastic latch onto the silver tab to keep the stroller closed. **See Figure 6.**

## CARING FOR YOUR STROLLER

Clean the fabric and frame with mild household soap, warm water and wipe dry. It's that easy. For squeaky or difficult to turn wheels, apply light household oil e.g. WD-40, 3-in-1 or sewing machine oil. And don't forget to regularly check your stroller for loose or missing parts.

## SAFETY FIRST

This product is for pet use only and is not intended for humans. Please do not leave your pet unattended. Gen7Pets is not responsible or liable for any damage caused by aggressive, destructive, immature, or untrained animals. Be good to your pet by using this product responsibly.

## HOW TO REACH US

(610) 913-1906

customerservice@gen7pets.com