

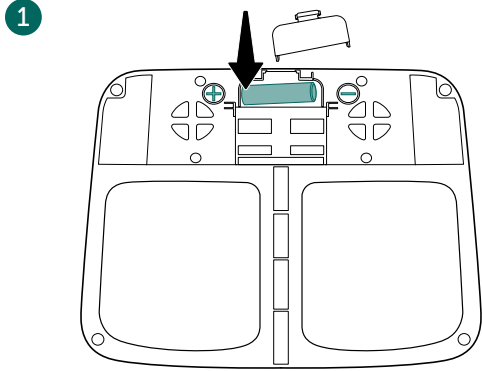


Get Started!

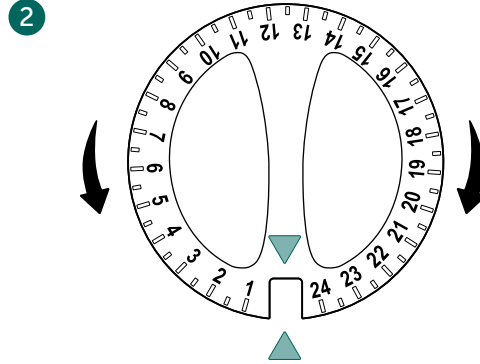


Automatic 2 Meal Pet Feeder

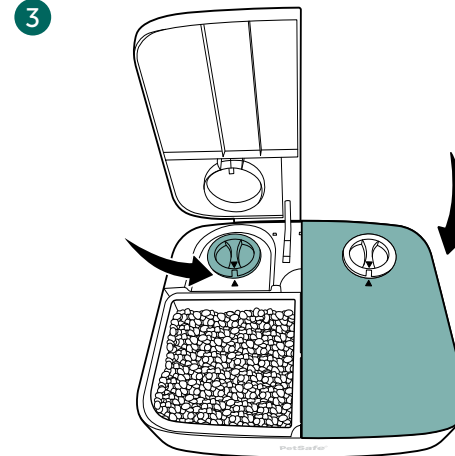
Don't worry! We'll feed your pet for you.



1 On the bottom of the feeder, remove the battery door and insert one AA alkaline battery. The battery compartment is very snug—it is easiest to insert the positive (+) end of the battery first, then press the negative (-) end into place.

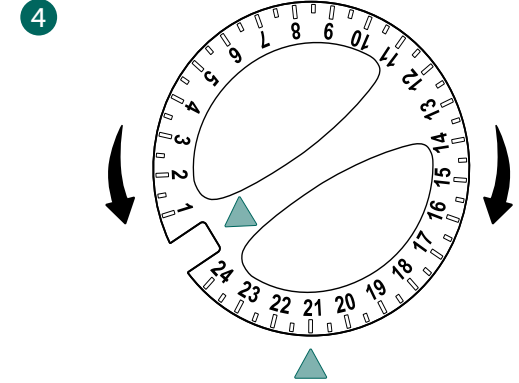


2 Replace the battery door and turn the feeder right side up. Open the lids by turning each dial until the arrow on the dial lines up with the arrow on the feeder lid.



3 Fill each tray section with up to 1 1/2 cups of dry or semi-moist food. Level the food before closing the lids. Do not overfill the feeder, as this may cause the lids to jam.

The arrows on the dial and the feeder must be lined up for the lids to close properly.



4 Set the feeder timers by turning each dial until the arrow on the feeder points to the number of hours between now and when you want your pet to be fed. (You can set it up to 24 hours in advance, in 1/2-hour increments.)

For example, if it is 8 a.m. and you set the first dial to 4 and the second dial to between 9 and 10, the first lid will open at 12 p.m. and the second lid will open at 5:30 p.m.

Two meals. One cleaning.

Keep your pet happy and healthy by cleaning the feeder between each use. Simply remove the inner tray and wash it in soapy water or on the top rack of your dishwasher. When needed, wipe down the exterior of the feeder with a clean damp cloth.



Let us help!

For questions or additional tips:

+1 (800) 732-2677

petsafe.com