

# REMOTE CONTROL LED LIGHTS

MODEL: AC1203M-F

Highlight features of your water garden, fountain or landscape with this 3-piece LED submersible light set. Colorful LEDs bring any water or outdoor feature to life. Use the programmed light effects or select from the many colors available on the remote control.

## Product Specification

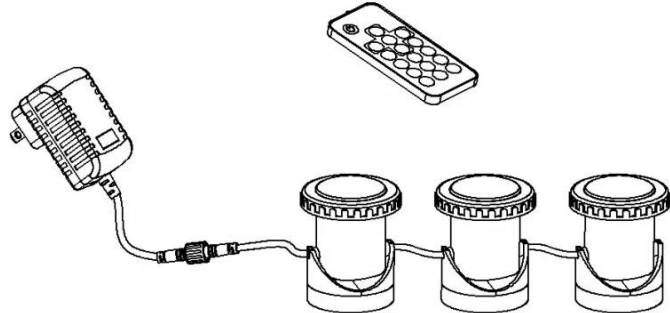
Transformer: Input AC100~240V 50/60Hz 0.3A

Output: DC12V 1000mA

Lamp holder: 3PCS

LED lights: 3\*12PCS (Three kinds of color)

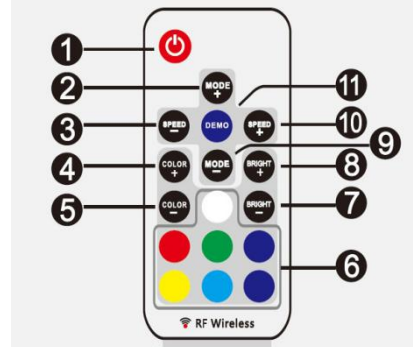
Lamp control: RF control



## Operation Instructions

1. Connect the transformer to the power supply.
2. Press the button <1 Turn on/Stand by> on the remote control, turn on the light.
3. Press any color button <6 Direct Color Select> on the remote control, you can choose the color you like.
4. You also can adjust brightness, and color intensity. Please see below **BUTTON FUNCTION** instructions.
5. Press <1 Turn on/Stand by> to turn off the lights.
6. The remote control has memory function. If it is properly connected and powered on, and the light is not on, press the remote control to turn on the light.

### Functions



Remove this insulation sheet before use.

### <Free Remote Pairing Mode>

In some specific cases; the main unit may need to be paired to any remote control. Please do following steps for free remote pairing mode:

- 1). Unplug the power of main unit and plug-in after 5 seconds.
- 2). Press "ON/OFF" and "MODE+" key together for 5 seconds after power on. After this operation, the main unit will recognize any remote controller. To pair the main unit back to specific remote, please repeat the "PAIRING NEW REMOTE" operation.

### BUTTON FUNCTION:

<1>. **Turn on/Stand by:** Press this key to turn on unit or switch to standby mode. At power on, unit will automatically turn on and restore to previous status.

<2/9>. **Dynamic Mode Adjust:** Switch to dynamic "MODE" from static color, or switch between dynamic "MODES".

<3/10>. **Dynamic Speed Adjust:** To adjust "MODE" playing speed, press "SPEED+" to increase speed and press "SPEED-" to decrease speed. Unit will switch to dynamic "MODE" if this key is pressed at static colors.

<4/5>. **Static Color Adjust:** Switch to static color mode from dynamic "MODE", or switch between static colors.

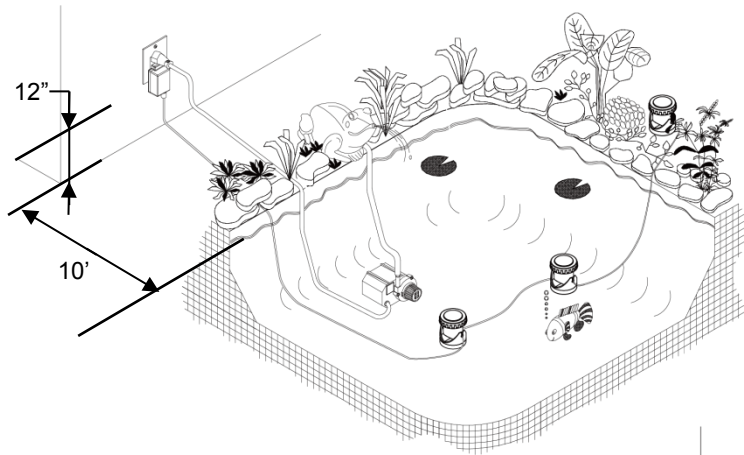
<6>. **Direct Color Select:** Press a specific color. These static colors are also included in "COLOR+" and "COLOR-" operation.

<7/8>. **Brightness Adjust:** Adjust static color brightness. Press "BRIGHT+" to increase brightness, press "BRIGHT-" to decrease brightness. Unit will switch to static color mode if this key is pressed at dynamic "MODE".

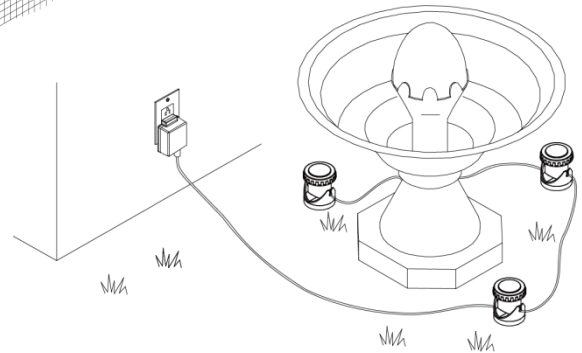
<11>. **Demo Mode:** At "DEMO" mode, it plays 17 dynamic modes in a loop, with each mode repeating 3 times.

**Read and Follow all Safety Instructions.  
Save This Manual for Future Reference.**

## The Lights may be operated dry or submerged.



Accent your fountain by placing lights on the ground and adjust the angle to your satisfaction!



### **CAUTION!**

- The transformer contains no serviceable parts. If the power unit provides no output to the lights, replace the transformer.
- Mount the transformer with cable terminals pointed down towards the ground at least 1 foot above ground on a vertically flat surface and at least 10 feet away from water.
- Improper mounting can result in failure of the power unit.

### **WARNING**

#### **IMPORTANT SAFETY INSTRUCTIONS**

- Risk of fire or electric shock, do not remove the grounding conductor, cord and strain relief. Do not repair, or tamper with the cord or plug without the assistance of an electrician.
- Do NOT use with extension cords.
- Do NOT submerge the Transformer.
- Do NOT use with a dimmer.
- The Lights are NOT to be used in swimming pools or spas.
- Do NOT connect two or more power units in parallel.
- To reduce the risk of FIRE or INJURY TO PERSONS:
  - 1) Turn off/unplug and allow to cool before touching.
  - 2) Do NOT touch the hot lens cover, bulb or bulb reflector.
- For OUTDOOR use only!
- The Transformer shall be connected to a GFCI protected hooded flush type cover plate receptacle marked "Wet Location" while in use.
- This Transformer is for use with Landscape Lighting Systems only.

### **LIMITED WARRANTY**

Each Beckett Corporation ("Beckett") product is warranted to be free from defects in material and workmanship for the applicable Warranty Period (herein so called). The Warranty Period is 1 year. Warranty claims must be made by calling Beckett Corporation, Customer Service Dept., telephone (866) 466-4319. Proof of Purchase is required and a \$5.00 shipping and handling fee applies to all warranty replacements.