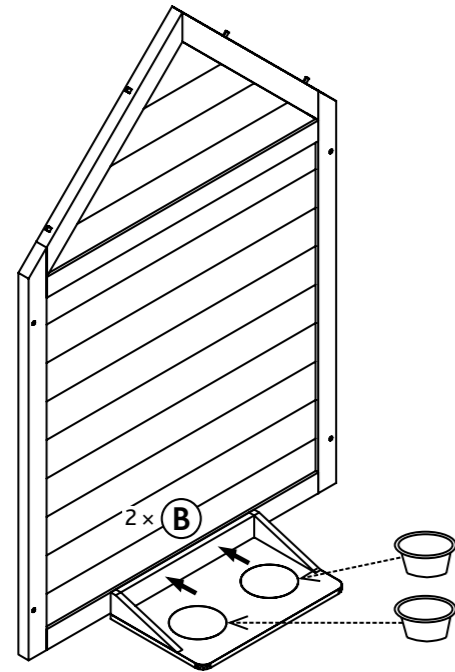


Pos.	Description	Measurement	Quantity	Item
1	Upper front panel	836 × 600 × 20 mm	1	55952-10
2	Upper back panel	836 × 600 × 20 mm	1	55952-20
3	Upper side panel, left	695 × 560 × 30 mm	1	55952-30
4	Upper side panel, right	695 × 560 × 30 mm	1	55952-40
5	Feeder	300 × 180 × 35 mm	1	55952-51
6	Lower front panel	857 × 600 × 20 mm	1	55952-11
7	Lower back panel	857 × 600 × 20 mm	1	55952-21
8	Lower side panels	760 × 560 × 45 mm	2	55952-31
9	Main bar for perch frame	755 × 35 × 35 mm	1	55952-53
10	Long perches	∅ 15 × 557 mm	2	55952-55
11	Short perches	∅ 15 × 300 mm ∅ 15 × 260 mm	2 × 1	55952-54
12	Drawer	580 × 525 × 50 mm	1	55952-50
13	Bottom	580 × 525 × 15 mm	1	55952-56
14	Roof plates	381 × 675 × 11 mm	2	55952-60
15	Ridge	700 × 75 × 56 mm	1	55952-61
16	Bowls		2	55952-52

Pos.	Description	Size	Quantity	Item
A	Countersunk screw	∅ 3,5 × 40 mm	16+1	55952-62
B	Countersunk screw	∅ 3,5 × 25 mm	10+1	
C	Countersunk screw	∅ 3,5 × 35 mm	8+1	
D	Thread screw with nut	M6 × 80 mm	4	
E	Locking bolt		3	
F	Countersunk screw	∅ 3 × 14 mm	22+1	

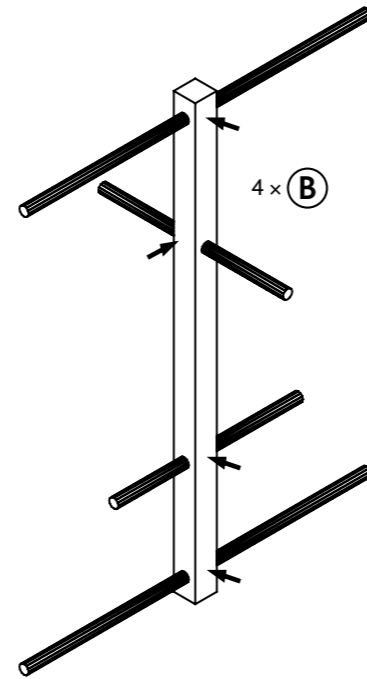
USA Made in China.

Fix the feeder (5) on the upper back panel (2).
Insert the bowls (16) once you have finished assembling.



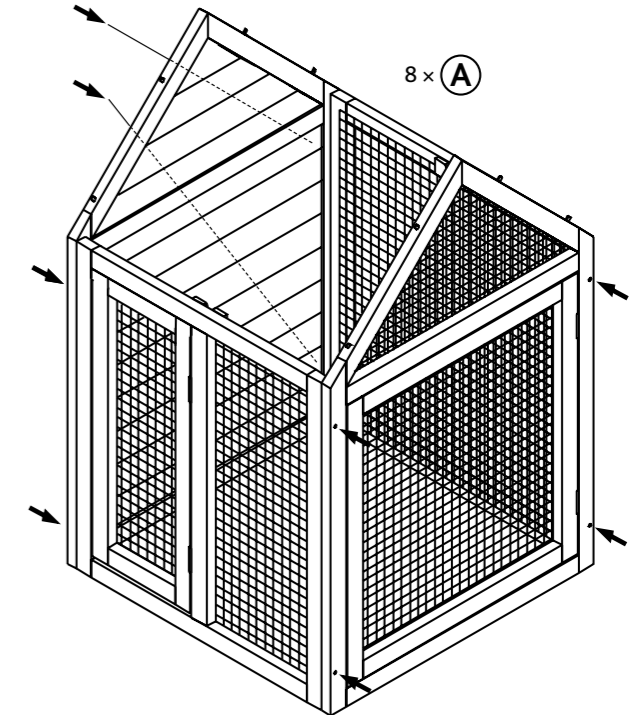
1.

Put in the perches (10/11) in the main bar (9) like it is shown in this drawing and fix them with screws.



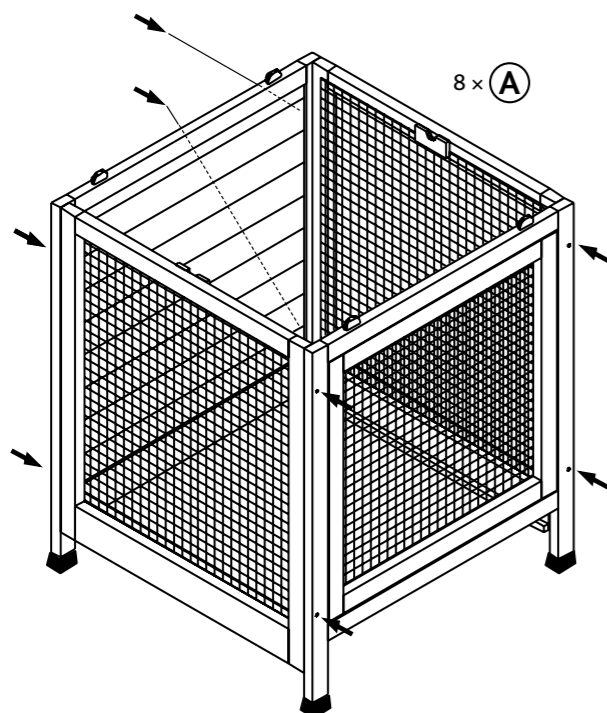
2.

Then screw the upper front and back panel (1/2) together with both upper side panels (3/4).



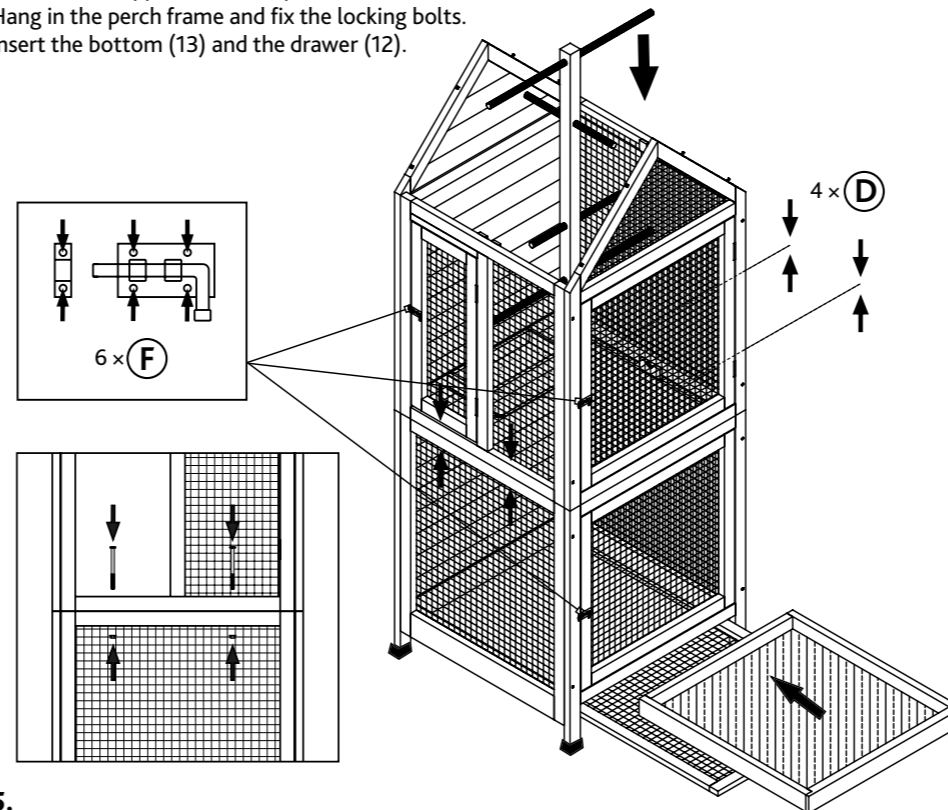
3.

Now screw the lower front and back panel (6/7) with the lower side panels (8).



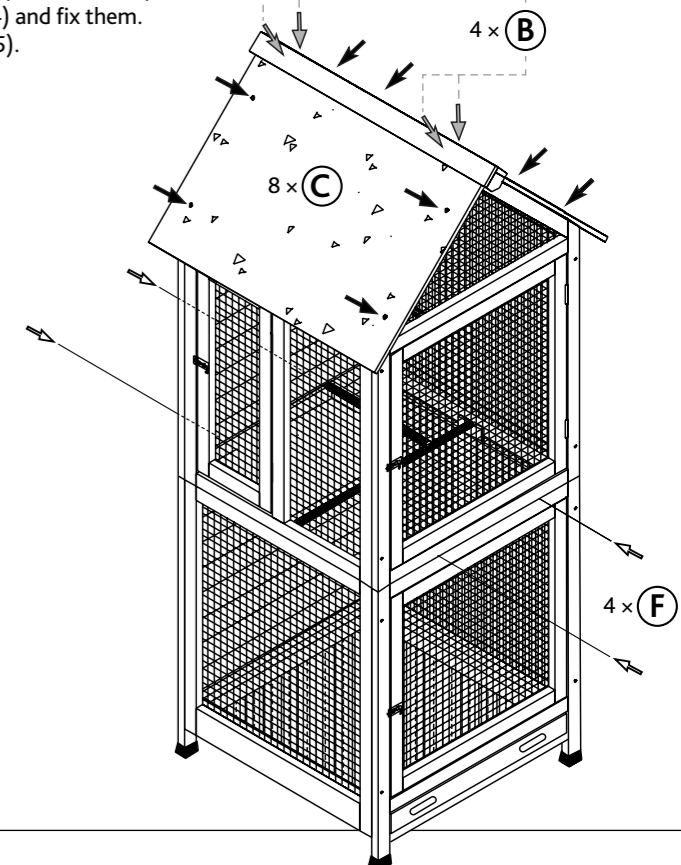
4.

Combine the upper and lower part.
Hang in the perch frame and fix the locking bolts.
Insert the bottom (13) and the drawer (12).



5.

Now screw together the upper and lower parts.
Put on both roof plates (14) and fix them.
Finally fix the roof ridge (15).



6.