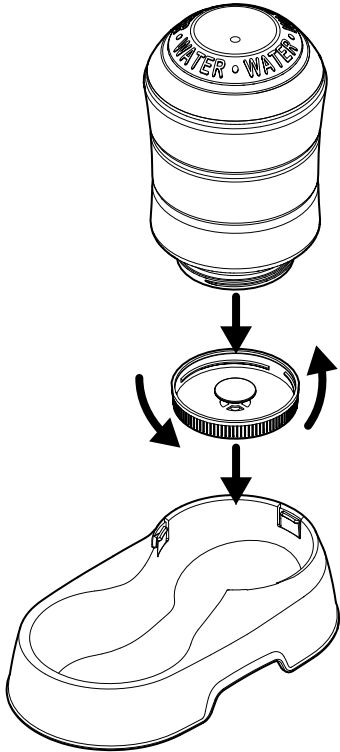


# Instruction Manual

## Frisco Circular Gravity Waterer

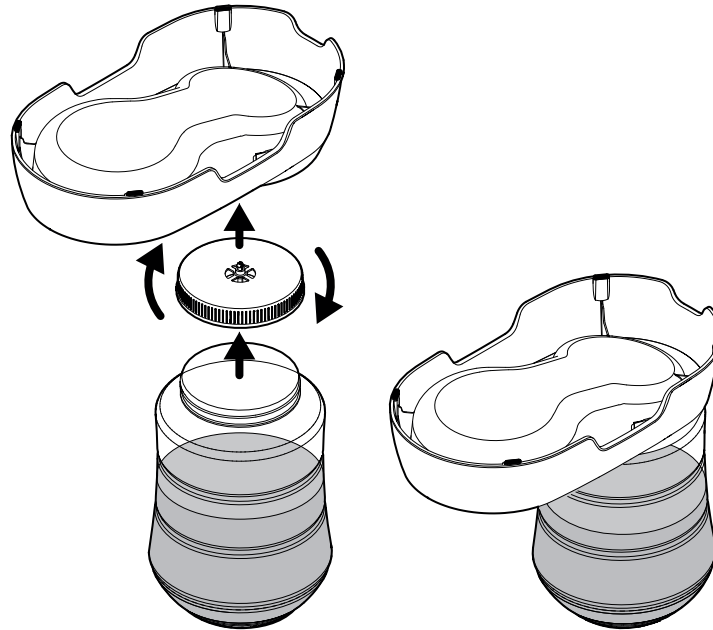
**Note:** Hand wash before use, easy clean with warm soapy water. Some pets are curious. If you have a curious pet, they may see the feeder as a toy. Some training may be required. ;-)

### ① Install



### ② Refill

1. Unsnap canister from base and turn canister upside down.
2. Unscrew lid and fill canister with water. Replace lid securely.
4. Flip the base upside down and snap onto the canister.
5. Quickly turn over the now joined base and canister unit.



### ③ Usage

1. Do not lift or remove silo if there is still water in the silo.
2. Use both hands to lift the Gravity Waterer.

