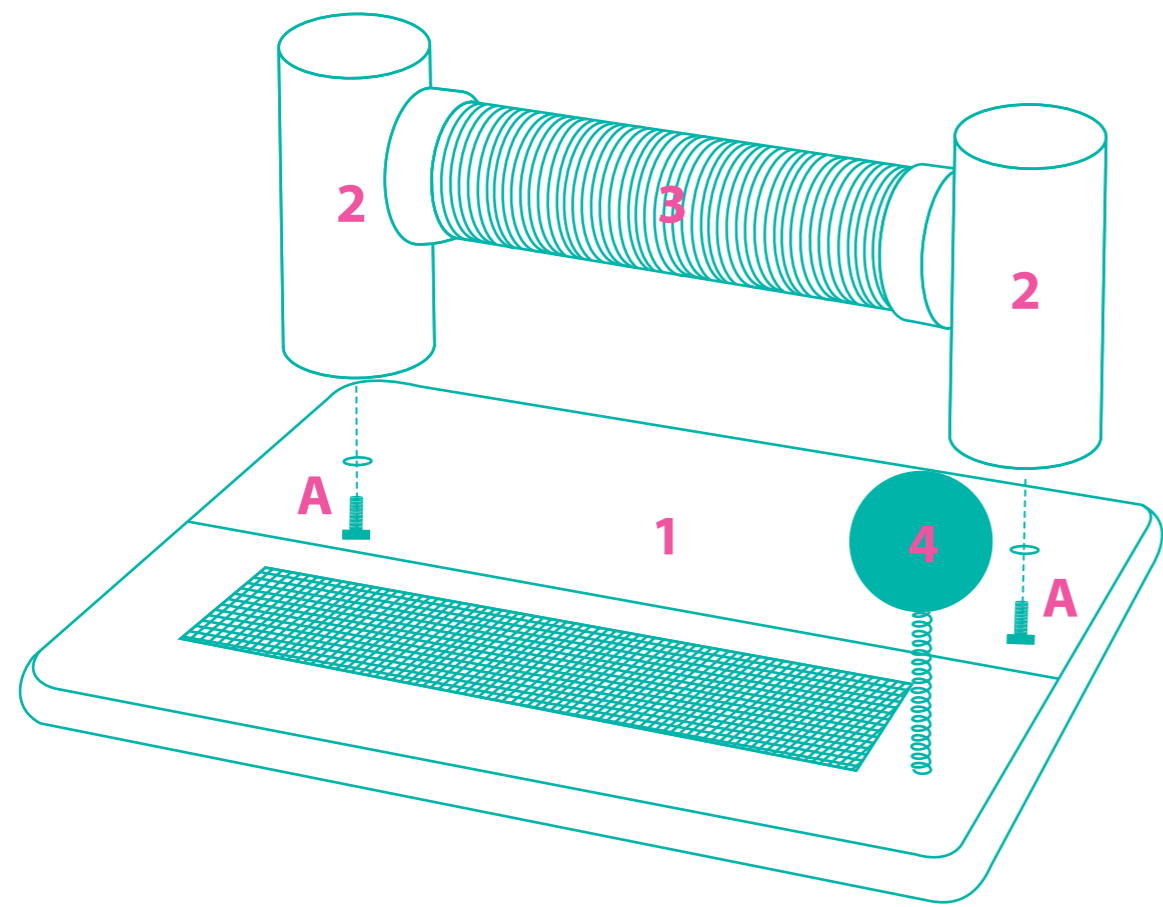


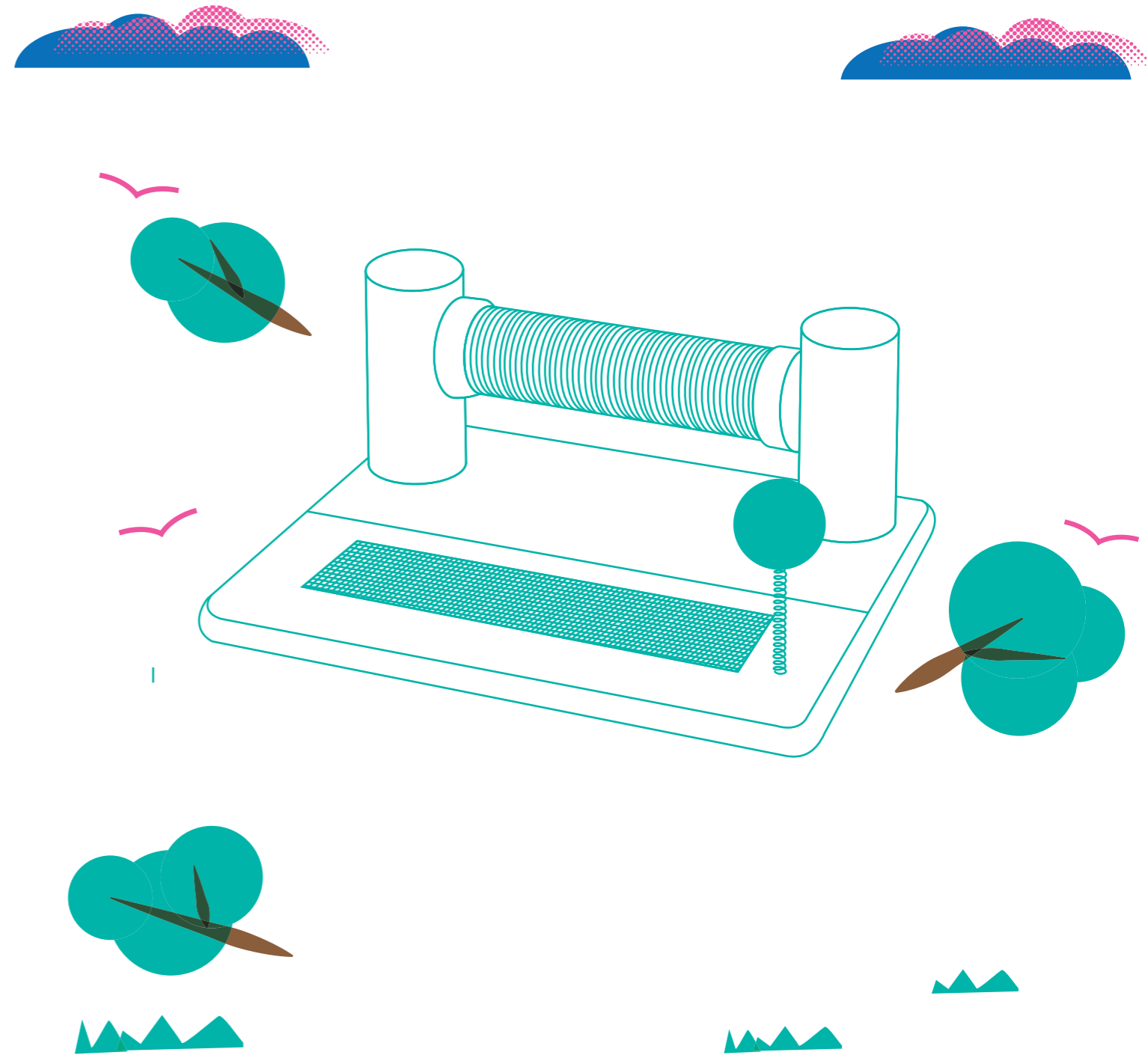
FULL ASSEMBLY



Available exclusively at [chewy.com](https://www.chewy.com) 1-800-672-4399

frisco.
better pet goods

7 IN
HEIGHT



SKU# 214349,214350
OVERALL DIMENSIONS
15.74 in L x 12.2 in W x 7.08 in H
40 cm L x 31 cm W x 18 cm H
BASEBOARD DIMENSIONS
15.74 in L x 12.2 in W
40 cm L x 31 cm W

CAT SCRATCHER

INSTRUCTION MANUAL

WARNINGS & CAUTIONS

PLEASE READ AND FOLLOW ALL WARNINGS AND INSTRUCTIONS TO AVOID PET INJURY OR PROPERTY DAMAGES.

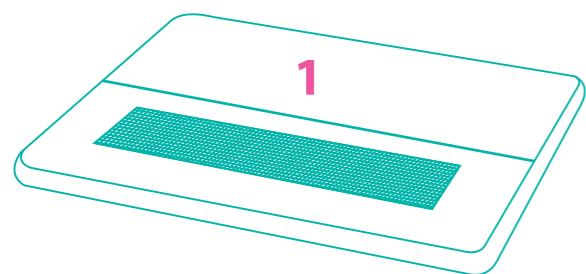
- Keep all tools and instructions in a safe place for future reference.
- Follow the instructions carefully and make sure you've completed each step.
- This cat scratcher is intended for cat use only, please keep children away.
- Keep all small parts away from children / pets to avoid choking hazards.
- Never climb, rock, shake, step or hang on the cat tree.
- Place your cat scratcher indoors, away from direct sunlight or damp areas.
- Cat scratcher should be placed on a flat, level surface for stability.
- Check your cat scratcher often for loose screws or parts that might need re-tightening.
- If your cat scratcher gets torn or damaged, please discard it.
- The product photo may vary slightly from your fully assembled cat scratcher as this product is continually being enhanced.

CLEANING INSTRUCTIONS

Spot clean stains and vacuum fur (using small handheld or attachment) when necessary.

COMPONENTS

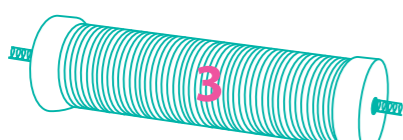
Prior to assembly, be sure to identify and sort all components shown below.



1PC SIZE 400 MM x 310MM x 20MM



2PCS SIZE 150MM



1PC SIZE 245MM



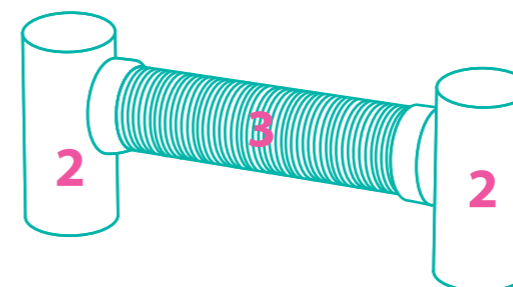
1PC

- | | | | |
|---|----------|------------|------|
| A | T | M10 x 40mm | 2PCS |
|  | | 5mm Wrench | 1PC |

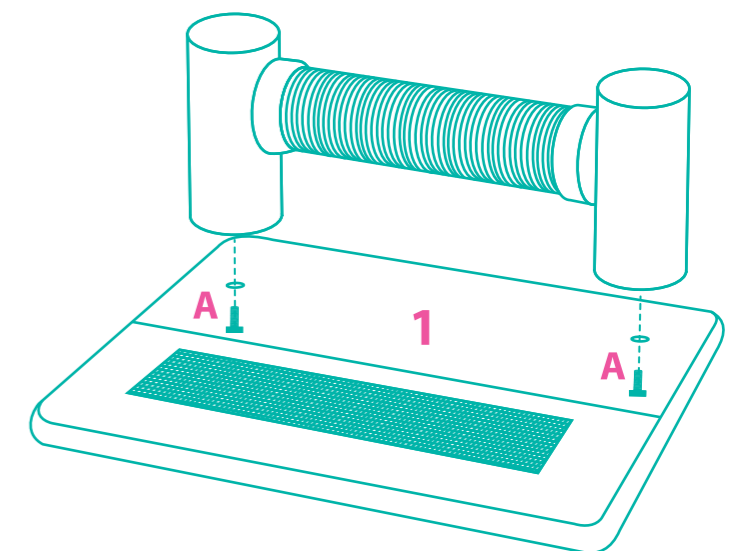
Available exclusively at [chewy.com](https://www.chewy.com) 1-800-672-4399

ASSEMBLY INSTRUCTIONS

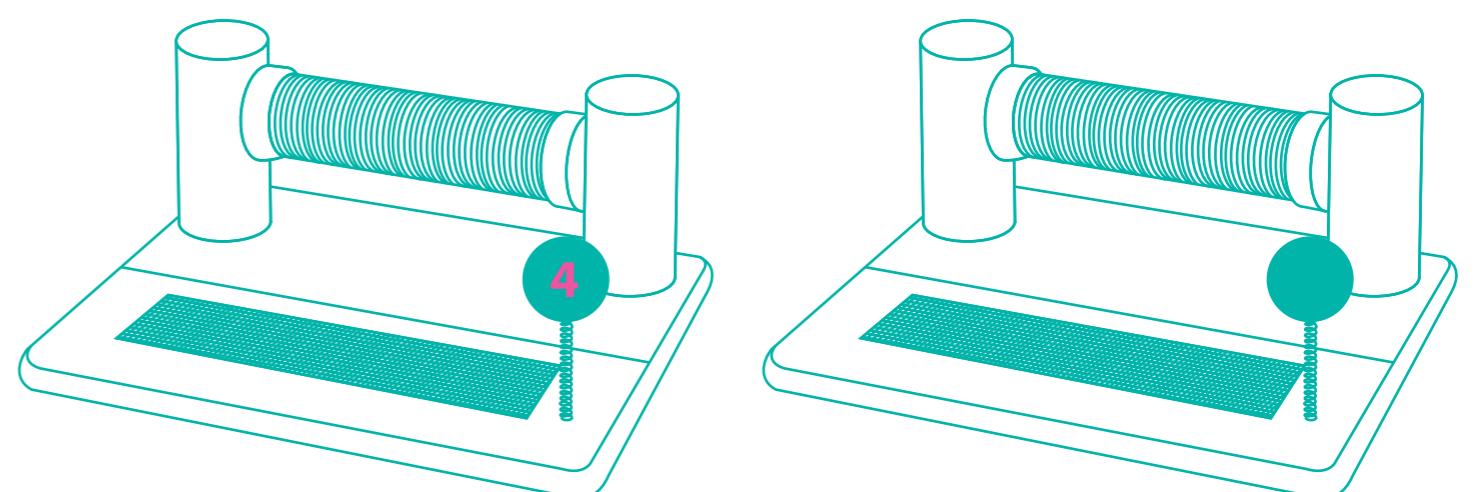
STEP 1



STEP 2



STEP 3



Available exclusively at [chewy.com](https://www.chewy.com) 1-800-672-4399