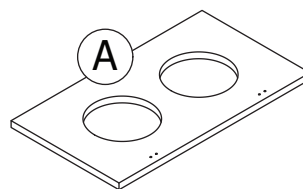
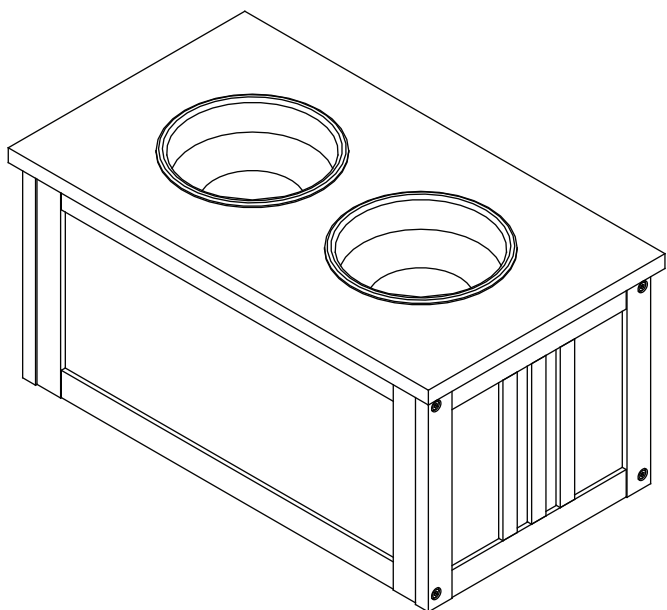


Parts List

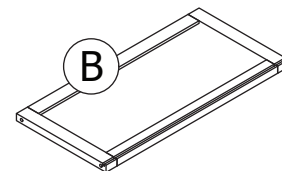
Assembly Instruction

Item# 603-1X

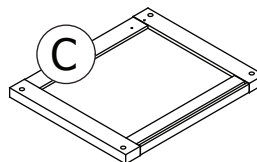
Pet Feeder Storage Stand



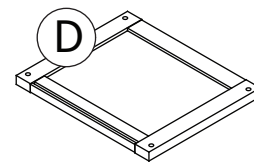
Lid
1 pc.



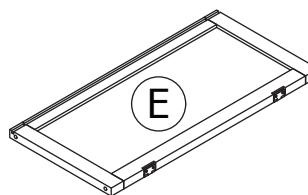
Front Panel
1 pc.



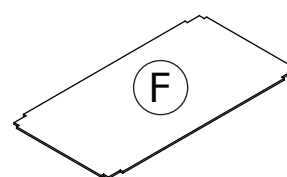
Left Panel
1 pc.



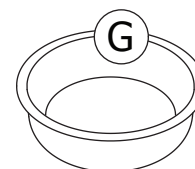
Right Panel
1 pc.



Back Panel
1 pc.

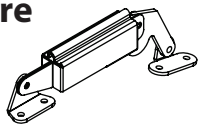


Bottom Plate
1 pc.



Bowl
2 pcs.

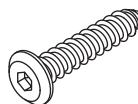
Hardware



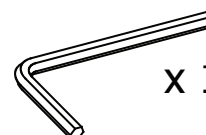
Safety Hinge
RF20056



Small Screw
RF10004 x 8



Large Screw
RF10003 x 8



Allen Wrench
RF40103 x 1

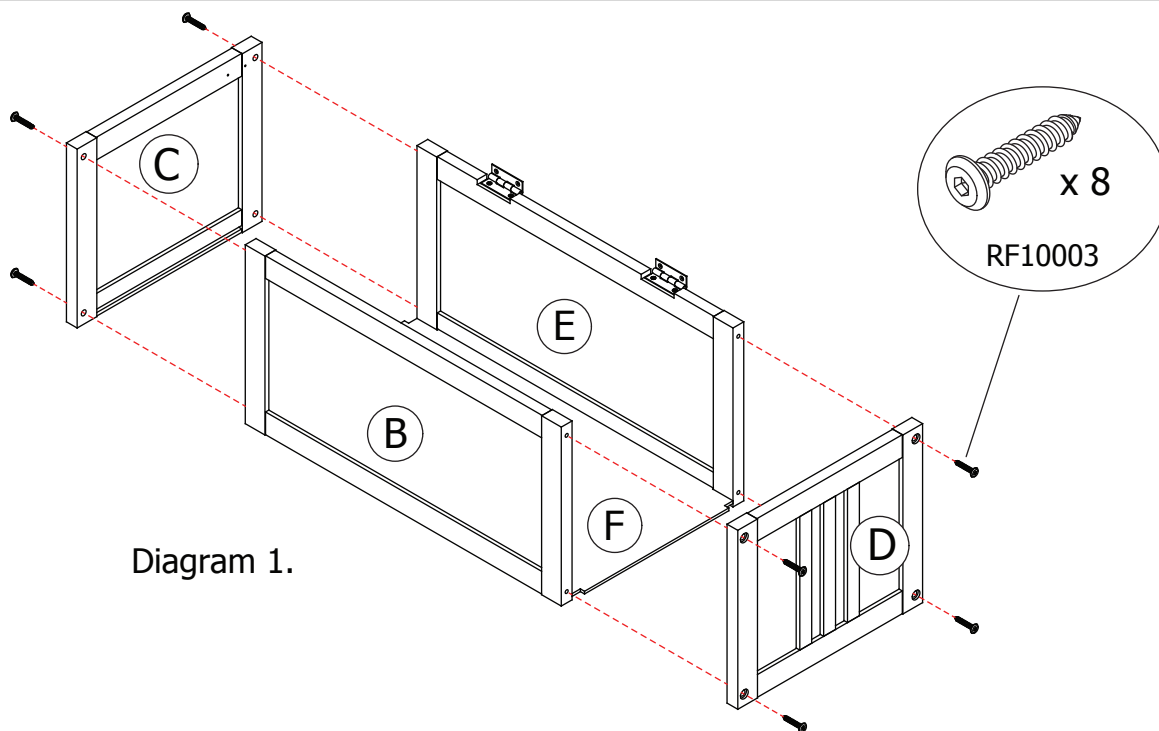
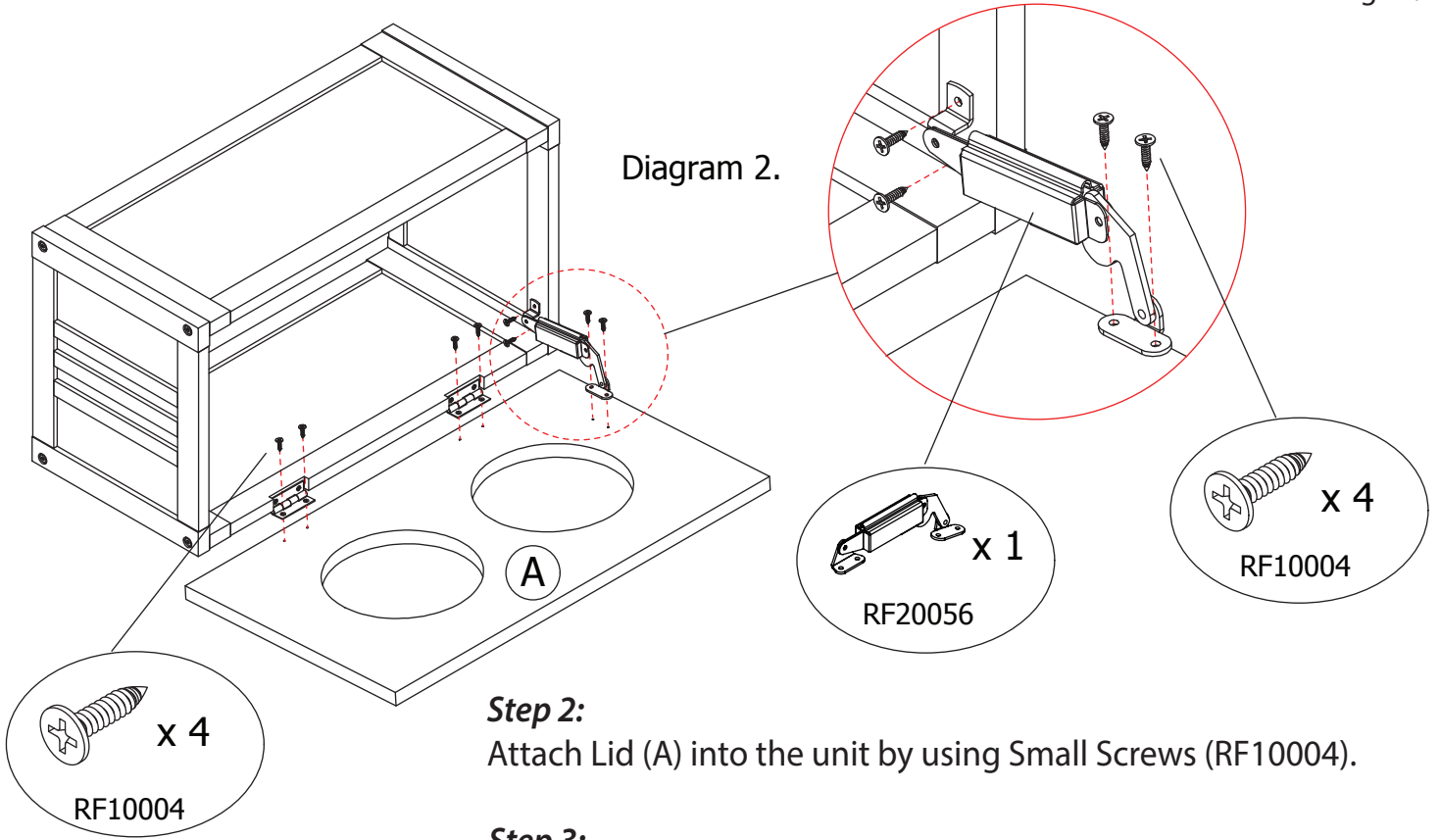


Diagram 1.

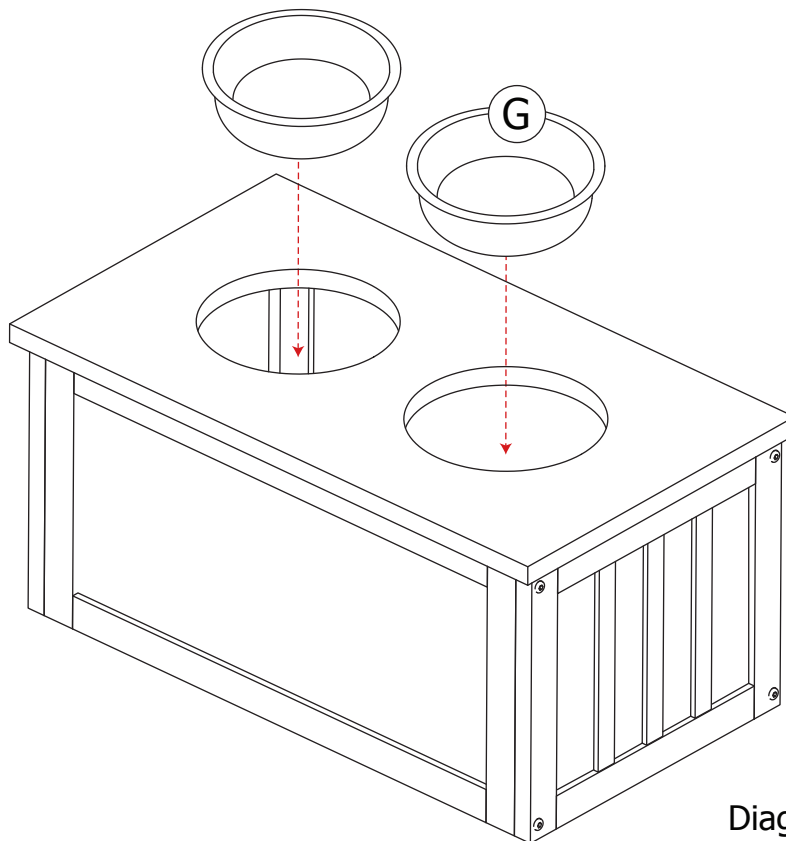
Step 1:

Attach Front Panel (B), Left Panel (C), Right Panel (D), Back Panel (E) and Bottom panel (F) together by using Large Screws (RF10003) as per diagram1.



Step 2:
Attach Lid (A) into the unit by using Small Screws (RF10004).

Step 3:
Attach Safety Hinge (RF20056), using Small Screws (RF10004) as per diagram 2.



Step 4:
Stand the unit upright, and place the Bowls (G) into the position as per diagram 3.