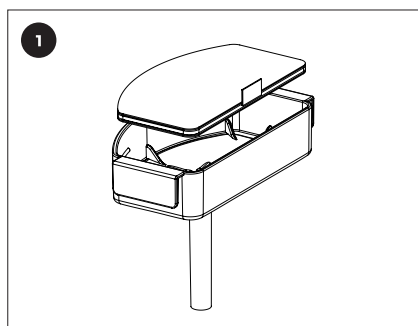


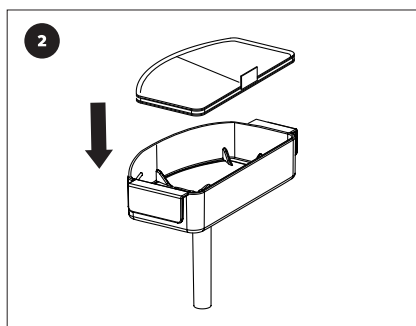
# REPLACEMENT FILTER INSTRUCTION MANUAL

## ASSEMBLY INSTRUCTIONS



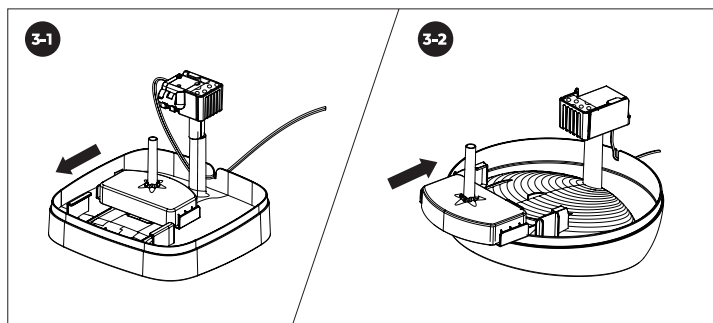
### STEP 1 - RINSE THE FILTER

Locate the **filter**. Soak the filter for 2 minutes and rinse for 30 seconds to flush away loose charcoal dust. This dust is normal and harmless to your pet but may affect the life of your filter.



### STEP 2

Insert filter in **filter holder**.



### STEP 3 - 1 (Square Pet Fountain)

Assemble water filter on **lid**.

### STEP 3 - 2 (Round Pet Fountain)

Assemble water filter on **lid**.

### QUESTIONS?

CALL OUR FRIENDLY CUSTOMER SERVICE  
TEAM ANYTIME. WE'RE HERE 24/7!  
1-800-67-CHEWY (672-4399)