



Instruction Manual

Preset Aquarium Heater



The Aqueon® Preset Aquarium Submersible Heaters are listed by Underwriters Laboratories to ensure that they meet the stringent U.S. and Canadian safety requirements.

Models: PS50N, PS100N, PS150N, PS200N
120 Volts, 60 Hz

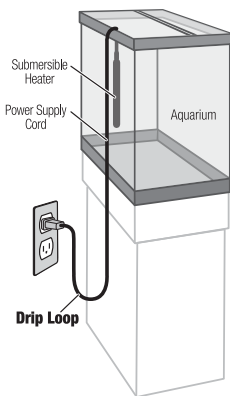
IMPORTANT SAFETY INSTRUCTIONS

WARNING – To guard against injury, basic safety precautions should be observed including the following:

READ AND FOLLOW ALL SAFETY INSTRUCTIONS

DANGER – To avoid possible electric shock, special care should be taken since water is employed in the use of aquarium equipment. For each of the following situations, do not attempt to repair yourself; return the appliance to an authorized service facility for service or discard the appliance.

- If the appliance shows any sign of abnormal water leakage, immediately unplug it from the power source.
 - Carefully examine the appliance after installation. It should not be plugged in if there is water on the parts not intended to be wet.
 - Do not operate any appliance if it has a damaged cord or plug, or if it is malfunctioning or if it is dropped or damaged in any manner.
 - To avoid the possibility of the appliance plug or receptacle getting wet, position aquarium stand and tank to one side of the wall mounted receptacle to prevent water from dripping onto the receptacle or plug. As shown in the figure below, a “drip loop” should be arranged by the user for each cord connecting an aquarium appliance to the receptacle. The “drip loop” is the part of the cord below the level of the receptacle, or the connector if an extension cord is used, to prevent water travel along the cord and coming in contact with the receptacle. If the plug or the receptacles do get wet, DON'T unplug the cord. Disconnect the fuse to the circuit breaker that supplies power to the appliance. Then unplug and examine for the presence of water in the receptacle.



- Close supervision is necessary when any appliance is used by or near children.
- To avoid injury, do not contact moving parts or hot parts such as heaters, reflectors, lamp bulbs, etc.
- Always unplug an appliance from the outlet when not in use, before putting on or taking off parts, and before cleaning. Never yank the cord to pull plug from the outlet. Grasp the plug and pull to disconnect.
- Do not use an appliance for other than intended use. The use of attachments not recommended or sold by the appliance manufacturer may cause an unsafe condition.
- Do not install or store the appliance where it will be exposed to the weather or to temperatures below freezing.
- Make sure an appliance mounted on a tank is securely installed before operating it.
- Read and observe all the important notices on the appliance.
- If an extension cord is necessary, a cord with a proper rating should be used. A cord rated for less amperes or watts than the appliance rating may overheat. Care should be taken to arrange the cord so that it will not be tripped over or pulled.

ONLY FOR POLARIZED ATTACHMENT PLUG APPLIANCES

- If this appliance has a polarized plug (one blade is wider than the other) as a safety feature, this plug will fit in a polarized outlet only one way. If the plug does not fit fully in the outlet, reverse the plug. If it still does not fit, contact a qualified electrician. Never use with an extension cord unless plug can be fully inserted. Do not attempt to defeat this safety feature.

SAVE THESE INSTRUCTIONS

SAFETY STANDARDS:

- This appliance is intended for indoor household use only.
- Appliance **MUST** be plugged into an outlet that is installed in accordance with all appropriate codes and ordinances.
- **ALWAYS** disconnect all immersed electrical equipment from power source before placing hands in water.
- **ALWAYS** maintain adequate water levels as stated in “SET-UP”.
- **DO NOT** use appliance for anything other than its intended use.
- **DO NOT** use product if either the cord or the product appear damaged.
- **DO NOT** operate or leave product plugged-in when outside of water.
- **DO NOT** operate the heater without the rubber guard on the bottom of the heater.
- **DO NOT** handle plug with wet hands or in wet environment.
- **DO NOT** remove plug from receptacle by pulling the cord.

TROUBLESHOOTING PROBLEMS

If problems are encountered:

If the appliance has been installed for 24 hours or more, and the temperature of the water is still much lower than the required temperature, proceed as follows:

- Be sure to use a quality, accurate thermometer to monitor water temperature.
- Make sure that the appliance is plugged in and is receiving power.
- Make sure that the appliance is submerged at least to the “MINIMUM WATER LEVEL” line.
- Make sure the water circulation around the appliance is adequate.
- Make sure that the heater wattage is adequate for the gallon size of the aquarium.
- Make sure that the glass is not covered with lime scale. If necessary remove lime scale after the appliance has been unplugged.

If the temperature is too high, after the appliance has been working for 24 hours or more, proceed as follows:

- Be sure to use a quality, accurate thermometer to monitor water temperature.
- Make sure that the heater wattage is adequate for the gallon size of the aquarium.
- Check whether too much water has evaporated, consequently reducing the volume to such an extent that it no longer falls within the range given on the label. If this is the case, add water immediately.

Installation & Set-up Guide

CAUTION: Before working with or installing heater, be sure to read and understand all safety instructions and warnings.

Step 1:

Attach suction cups: Attach suction cups (C) to heater. (1 suction cup for 50W and 100W models.) Attaching suction cups will ensure proper positioning in your aquarium and will allow adequate water circulation around the heater for even heat distribution. **Note:** DO NOT place suction cups over the heating element portion of the heater.

Step 2:

Heater Installation: Install heater in water filled aquarium. The heater works best when installed in the aquarium in the vertical position. The installation of the heater in this position requires that the aquarium must maintain a water level above the MINIMUM WATER LEVEL LINE (A) on the heater, as shown in FIG 2. The heater can be installed in the aquarium in the horizontal position. The installation of the heater in this position requires that the heater be positioned fully submerged in water at all times, as shown in FIG 2.

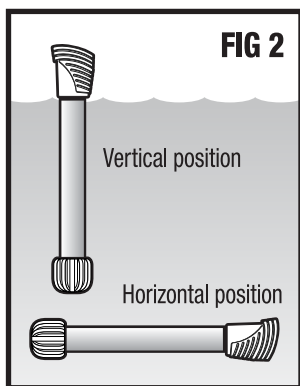
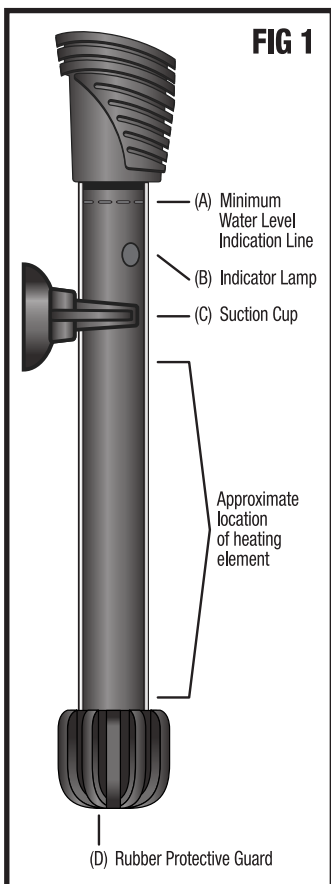
Step 3:

Plug into Electrical Outlet: Allow for heater to be submerged in water for a minimum of 30 minutes prior to powering the appliance. Once heater has been mounted and submerged for the 30 minutes, plug the appliance into an electrical outlet. Once plugged in, the heater will automatically start working. Should your water need heating, the indicator lamp (B) will illuminate showing that the heater is functioning and in heating mode.

CAUTION: NEVER operate heater without rubber protective guard (D).

Appliance Specification

Watts	Overall Length	Recommended Aquarium Size	Number of Suction Cups
50	5 ³ / ₄ "	5-20 gal	1
100	6 ³ / ₈ "	20-30 gal	1
150	8"	30-55 gal	2
200	9 ¹ / ₈ "	55-75 gal	2



One Year Warranty

WHAT THE WARRANTY COVERS:

Central Aquatics (Company) warrants this product (see Exclusions below) to the original purchaser against defective material and workmanship that occurs during normal in-home use for one year. Company will, at Company's option, either repair or replace same without charge (but no cash refunds will be made).

EXCLUSIONS:

1. Damage resulting from accident, misuse, abuse, lack of reasonable care, subjecting the product to any but the specified electrical service, other than normal and ordinary use of the product, subjecting the product to abnormal working conditions or any other failure not resulting from defects in materials or workmanship.
2. Damage resulting from modification, tampering with or attempted repair by anyone other than the Company.
3. Transfer of product to someone other than the original consumer purchaser.
4. The warranty is not valid for components subject to wear.

FOR WARRANTY OR TECHNICAL SERVICE:

1. Contact the Company by mail or telephone to obtain a return authorization number:
Central Aquatics
5401 West Oakwood Park Drive
Franklin, WI 53132
(888) 255-4527

NOTE: Be sure to provide contact information when requesting return authorization number.

2. Deliver, mail or ship the product, together with a copy of the original bill of sale, to:
Central Aquatics
5401 West Oakwood Park Drive
Franklin, WI 53132

You must pay any postage, shipping charges, insurance costs and other expenses to return the product to Central Aquatics, Franklin, WI 53132. However, if the necessary repairs are covered by the warranty, Company will pay the return shipping charges to any destination within the United States or Canada.

LIMITATION OF IMPLIED WARRANTIES AND EXCLUSION OF CERTAIN DAMAGES:

THE COMPANY DISCLAIMS LIABILITY FOR INCIDENTAL AND CONSEQUENTIAL DAMAGES FOR BREACH OF ANY EXPRESS OR IMPLIED WARRANTY, INCLUDING ANY IMPLIED WARRANTY OF MERCHANTABILITY, WITH RESPECT TO THIS PRODUCT. THIS WRITING CONSTITUTES THE ENTIRE AGREEMENT OF THE PARTIES WITH RESPECT TO THE SUBJECT MATTER HEREOF; NO WAIVER OR AMENDMENT SHALL BE VALID UNLESS IN WRITING SIGNED BY THE COMPANY.

Some states do not allow the exclusion or limitation of consequential damages, so the above limitation or exclusion may not apply to you.