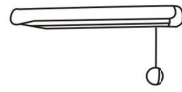
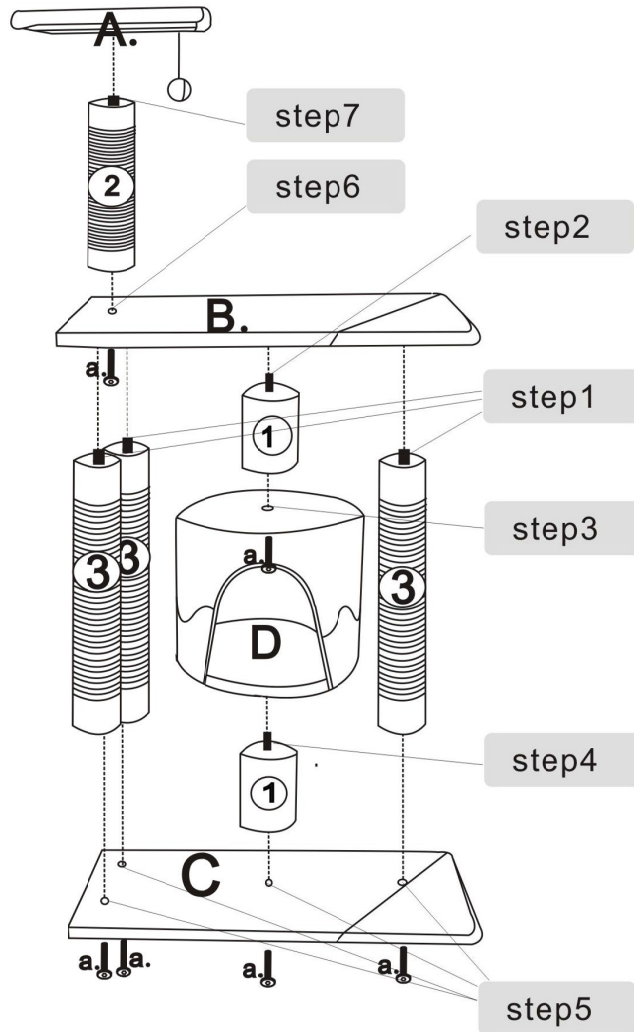
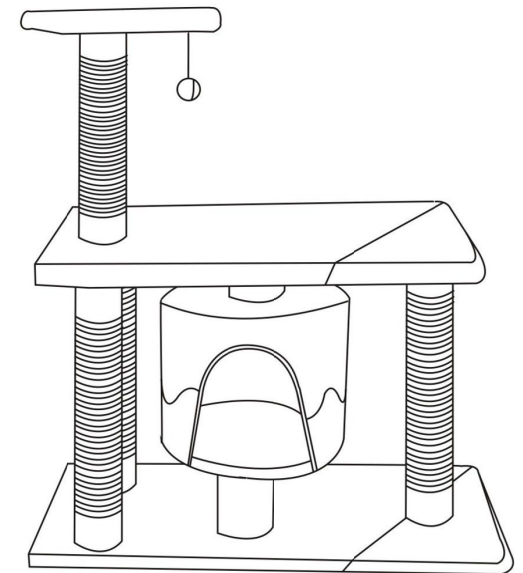
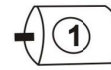


**EFCT-2038**



**A. \*1pc**



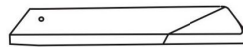
**4.8"\*2pcs**



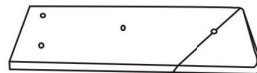
**15.8"\*1pc**



**19.8"\*3pcs**



**B. \*1pc**



**C. \*1pc**



**D. \*1pc**



**a. m0.3"\*1.5"\*6pcs**



**\*1pc**