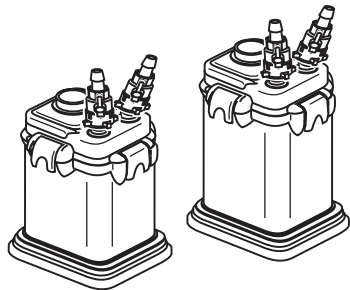


PENN-PLAX® Cascade™ CCF4UL & CCF5UL

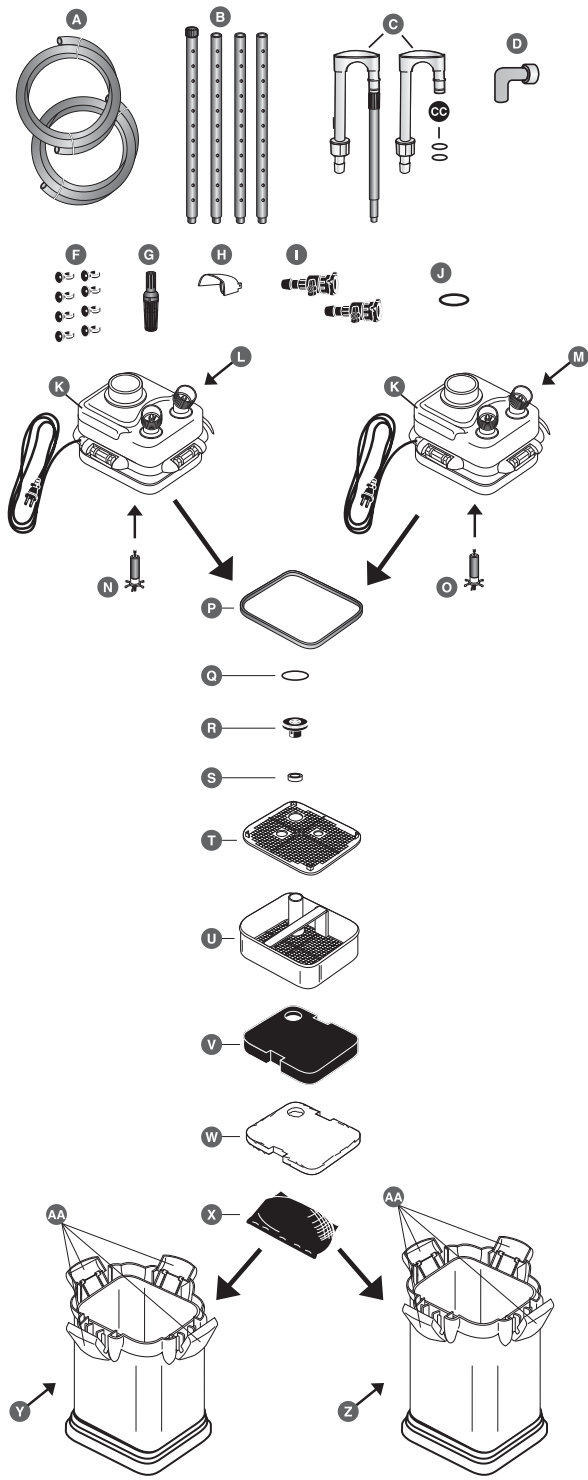
CANISTER FILTER MODELS 1200 & 1500

NOTE:
All Filters are tested and checked for leaks prior to shipping. Some residual water may be inside your Filter – This is Normal.



CANISTER FILTER PARTS LIST

#	DESCRIPTION	Quantity per Filter Kit		Part No. for One Piece
		1200	1500	
A	Hose (Set of 2)	2	2	CCF201
B	Spray Bar set (Set of 4)	1	1	CCF202R
C	Intake/Exhaust Tube	1	1	CCF203R
D	Elbow Tube Set	1	1	CCF205R
F	Suction Cups w/ Clips (Set of 8)	4	4	CCF207
G	Strainer	1	1	CCF208
H	Directional Spout	1	1	CCF209
I	Flow Control Valve	2	2	CCF210
J	Intake Tube Extension O-Ring	1	1	CCF228
K	Motor Unit Handle	1	1	CCF311
L	Motor Unit 1200	1	0	
	for 110 volt			CCF312
	for 220 volt			CCF312F
	for 220 volt- UK Plug			CCF312UK
M	Motor Unit 1500	0	1	
	for 110 volt			CCF314
	for 220 volt			CCF314F
	for 220 volt - UK Plug			CCF314UK
N	Impeller for Cascade 1200	1	0	
	for 110 volt			CCF315
	for 220 volt			CCF315F
O	Impeller for Cascade 1500	0	1	
	for 110 volt			CCF316
	for 220 volt			CCF316F
P	Motor Unit Gasket	1	1	CCF317
Q	Impeller Retainer O-Ring	1	1	CCF218
R	Impeller Retainer	1	1	CCF219
S	Media Basket Joint Seal	1	1	CCF221
T	Media Basket Cover	1	1	CCF322
U	Media Basket	4	5	CCF323
V	Coarse Sponge	1	1	CCF329
W	Floss Pad	4	5	CCF331
X	Carbon Mesh Bag	1	1	CCF233
Y	Filter Case 1200	1	0	CCF324
Z	Filter Case 1500	0	1	CCF326
AA	Lock Clips	4	4	CCF225
BB	Intake/Exhaust Tube O-Rings (Set of 2)	1	1	CCF227



1 Prepare Filter
Open lock clips. Remove motor unit.

2 Remove filter baskets from filter case.

3 Filtration works from the bottom up. Use floss pad and carbon bag in bottom basket. Use floss pad and coarse sponge pad in top basket.

3C COARSE SPONGE PAD
3B FLOSS PAD
3A CARBON
3B FLOSS PAD

Rinse out baskets of any loose carbon dust.

4 Place seal ring, connector and media basket cover over TOP BASKET.

4A Media basket cover
4B Media basket joint seal
4C Top basket

5 Reassemble Filter

5A Through hole
5B Note that small opening on motor unit must align with holes on basket.

6 Valves
Attach valves to ports on motor unit. Attach valve with blue ring to "in" port. Attach valve with black ring to "out" port.

Blue
Black
In
Out

7 Position Filter

7A Choose a location for the filter where it can be easily accessed for maintenance. Do not attach hoses yet!

7B Note that hoses with valves will easily detach from motor to remain at aquarium during filter maintenance.

8 Hose attachment
Attach hose to intake tube as shown below. Use tube with blue hose ring.

8A Spin hose ring up
8B Attach Hose
8C Spin hose ring down

8D Attach intake tube extension and strainer.

8E Use two suction cups to secure intake tube to aquarium wall.

8F NOTE: Intake Tube length is adjustable.

9 Exhaust hose assembly You have 2 options:

9A Spray bar

- Evenly distributes filtered water across length of aquarium.
- Breaks surface water to provide oxygen exchange.

9B Spray bar assembly

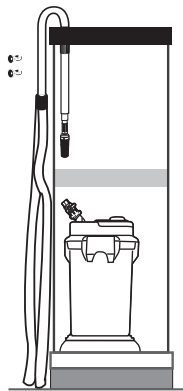
9C Directional Spout

- Creates a forceful circulating flow in any direction.
- Breaks surface water to provide oxygen exchange.

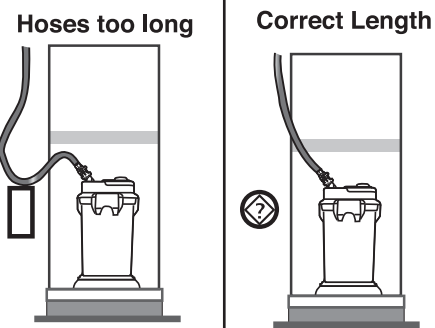
9D Directional spout assembly

10 Attach exhaust tube assembly to remaining hose (see step 8 for hose attachment).

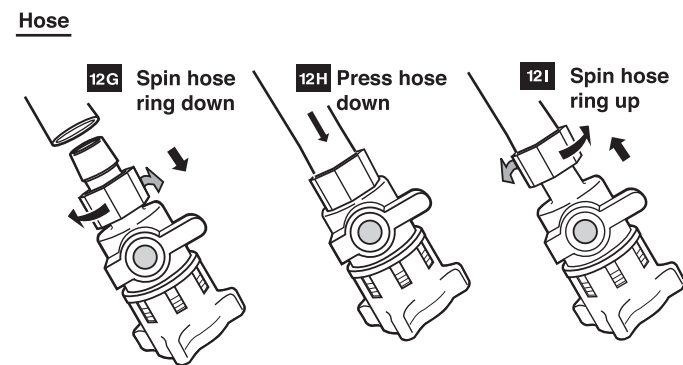
Secure to aquarium using suction cups as needed.



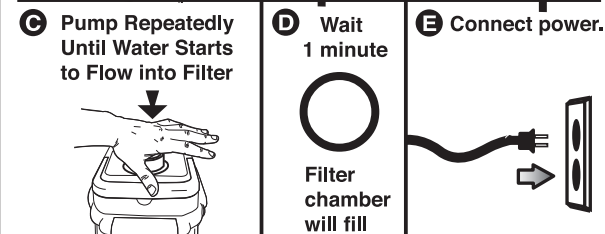
11 Trim hoses
Carefully estimate the correct hose length to avoid unnecessary bends. Trim with scissors.



12 Attach hoses
12A Important
12B Attach intake hose to valve with blue ring and exhaust hose to valve with black ring.



13 A Start filter
B Turn both flow control levers to full open position.



C Pump Repeatedly Until Water Starts to Flow into Filter
D Wait 1 minute
E Connect power.

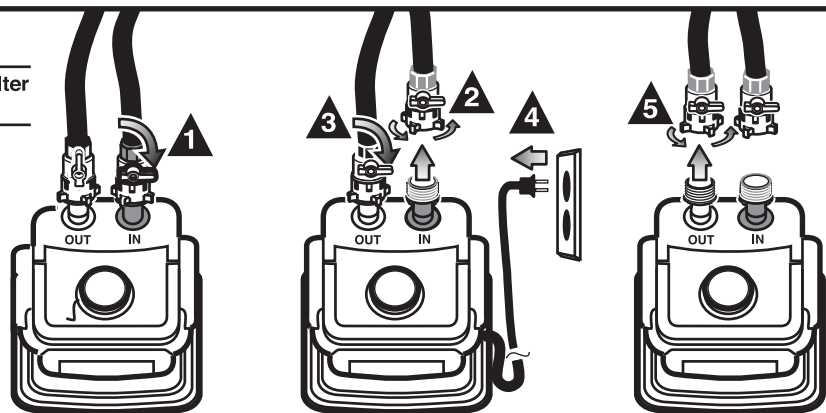
Note that air caught in the motor may cause noise at start-up. This should dissipate after a few hours. To eliminate the noise immediately, gently tilt the entire filter from side to side until bubbles are evacuated. Be careful not to stress the hose connection.

Maintenance

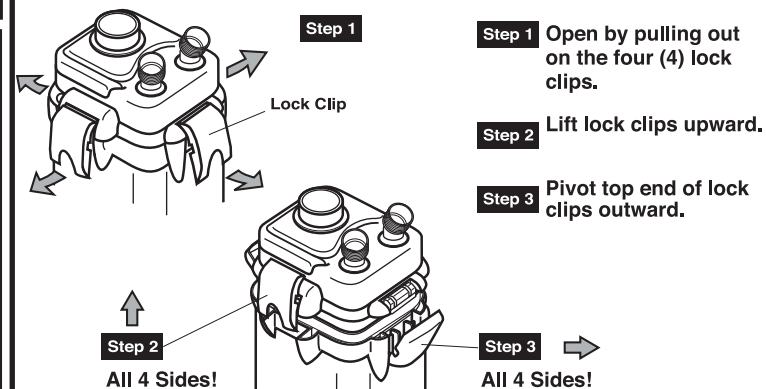
Periodically change the filter medium, clean hoses and impeller. Your tank conditions will determine how often this should be done.

15 IMPORTANT!
• You can leave the hoses at the aquarium when servicing filter
• DISCONNECT IN THE FOLLOWING SEQUENCE

- 1** Close flow control lever on blue intake valve. Do not close lever on black exhaust valve.
- 2** With power ON, unscrew Lock Ring on Blue Intake Valve and Disconnect.
- 3** Close flow control lever on Black Exhaust Valve.
- 4** Disconnect power cord
- 5** Unscrew Lock Ring and disconnect Black Exhaust Valve.



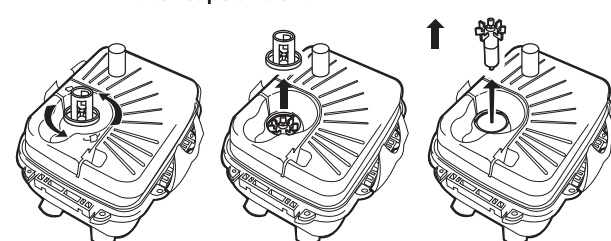
16 Open Filter • Bring filter to sink.



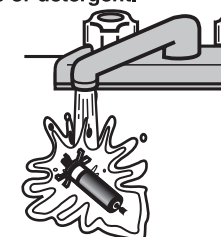
17 Replace
Replace expendable media such as carbon, zeolite, and filter resins. Rinse or replace floss pads and coarse sponge. Note that coarse sponge may contain valuable colonies of helpful bacteria that you may wish to maintain. Gently rinse and squeeze the coarse sponge in some aquarium water that you took from the aquarium. This will reduce clogging, but not kill off the entire bacterial colony. Tap water, with chlorine, should not be used on the coarse sponge filter since it may kill bacteria.

18 Reload
When reloading media baskets into canister, make certain that through holes align with each other and with the small opening on the motor unit. See steps 4 and 5 of "preparation" section.

19 Impeller Maintenance
19A Turn motor unit upside down. Twist impeller retainer counter clockwise and pull upwards. Remove entire impeller with rubber caps and shaft.

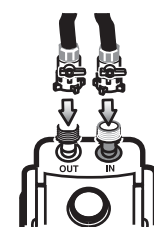


19B Rinse impeller in running water. A soft brush can be used to remove any build up. Do not use soap or detergent.



20 Hoses
Periodically remove hoses and tubes from aquarium. Clean with filter brush and flush thoroughly.

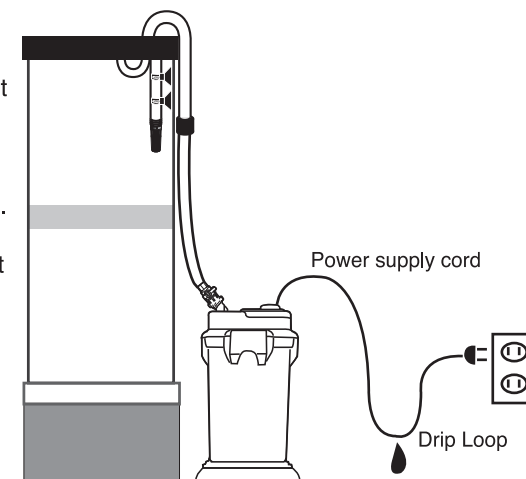
20 Note
For re-assembly keep both valve levers closed until both valves are completely connected to the motor. Then open as described in step 13.



IMPORTANT SAFETY INSTRUCTIONS

WARNING- To guard against injury, basic safety precautions should be observed, including the following:

- a) READ AND FOLLOW ALL SAFETY INSTRUCTIONS.
- b) DANGER- To avoid possible electric shock, special care should be taken since water is employed in the use of aquarium equipment. For each of the following situations, do not attempt repairs by yourself; return the appliance to an authorized service facility for service or discard the appliance:
 1. If the appliance falls into the water, Don't reach for it! First unplug it and then retrieve it. If electrical components of the appliance get wet, unplug the appliance immediately. (Non-immersible equipment only).
 2. If the appliance shows any sign of abnormal water leakage, immediately unplug it from the power source (Immersible equipment only).
 3. Carefully examine the appliance after installation. It should not be plugged in if there is water on parts not intended to be wet.
 4. Do not operate any appliance if it has a damaged cord or plug, or if it is malfunctioning or has been dropped or damaged in any manner.
 5. To avoid the possibility of the appliance plug or receptacle getting wet, position aquarium stand and tank to one side of a wall-mounted receptacle to prevent water from dripping onto the receptacle or plug. A "drip loop," shown in the figure below, should be arranged by the user for each cord connecting an aquarium appliance to a receptacle. The "drip loop" is that part of the cord below the level of the receptacle, or the connector if an extension cord is used to prevent water traveling along the cord and coming in contact with the receptacle. If the plug or receptacle does get wet, DON'T unplug the cord. Disconnect the fuse or circuit breaker that supplies power to the appliance. Then, unplug and examine for presence of water in the receptacle.
- c) Close supervision is necessary when any appliance is used by or near children.
- d) To avoid injury, do not contact moving parts or hot parts such as heaters, reflectors, lamp bulbs, and the like.
- e) Always unplug an appliance from an outlet when not in use, before putting on or taking off parts, and before cleaning. Never yank cord to pull plug from outlet. Grasp the plug and pull to disconnect.
- f) Do not use an appliance for other than the intended use. The use of attachments not recommended or sold by the appliance manufacturer may cause an unsafe condition.
- g) Do not install or store the appliance where it will be exposed to the weather or to temperatures below freezing.
- h) Make sure an appliance mounted on a tank is securely installed before operating it.
- i) Read and observe all the important notices on the appliance.
- j) If an extension cord is necessary, a cord with proper rating should be used. A cord rated for less amperes or watts than the appliance rating may overheat. Care should be taken to arrange the cord so that it will not be tripped over or pulled.



3 YEAR WARRANTY

- A. Read these terms carefully.
- B. Retain this sheet with your sales slip.
- C. Please DO NOT return this product to your dealer.
- D. If service is necessary, complete form at bottom, enclose it with your sales slip and pump along with proper payment for shipping and handling and mail to:

Penn-Plax, U.S Service Department
3370 MIAC Cove
Memphis, TN 38118
\$55.00 for filter # CCF4UL
\$60.00 for filter # CCF5UL

Penn-Plax, France Service Department
Zac de Recouvrance
17100 Saintes, France
€55.00 for filter # CCF4UK
CCF4F
€60.00 for filter # CCF5UK
CCF5F

Please print or type name clearly- this will be your mailing label. My name and address is:

Name: _____
Street: _____ City: _____
State: _____ Zip: _____ Country: _____

Please attach a brief note with your reason for return.

_____ Unit purchased from: _____
Dealer: _____
Street: _____ City: _____
State: _____ Zip: _____ Country: _____

1. This product is warranted under normal usage against defective material and workmanship for a period of 3 years from date of purchase. Repairs and replacements will be made at our discretion, free of any charge for parts and or labor.
2. For repair service, carefully pack the filter and send it postage paid directly to Penn-Plax together with the completed form. Each product must be accompanied by sales slip showing date of purchase. Since no repairs will be made under this warranty without a sales slip, the purchaser should retain and store it in a safe place together with these instructions.
3. This warranty will not apply to any product which has been subject to misuse or negligence.
4. Penn-Plax assumes no liability with respect to loss or damage to livestock or personal property, irrespective of the cause thereof. The warranty is in lieu of all warranties, expressed or implied, including the implied warranty of merchantability. Neither the seller nor manufacturer shall be liable for any loss or damage, consequential or direct, arising from the use or inability to use this product. Defects resulting from misuse, abuse or accident are expressly excluded from coverage under this warranty. Some states do not allow limitation on how long an implied warranty lasts or do not allow any exclusion or limitation of incidental or consequential damages, so the limitations may not apply to you.

SAVE THESE INSTRUCTIONS

Problems or Questions?
Email us at consumerservice@pennplax.com
or call 866-625-2385 (US & Canada Only)



Penn-Plax, Inc.,
35 Marcus Blvd.
Hauppauge, NY 11788 USA