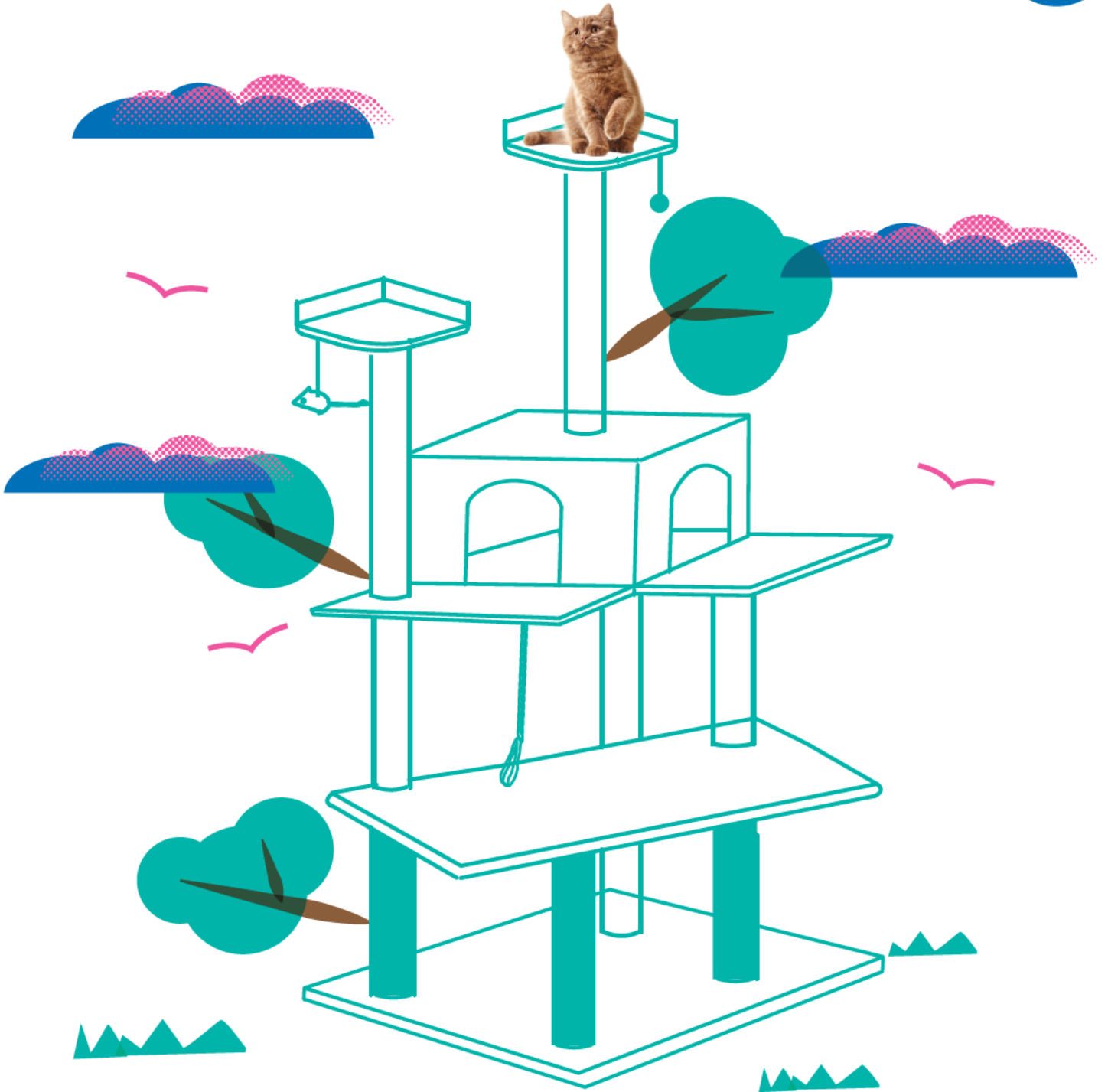


frisco.  
better pet goods

57"  
HEIGHT



SKU# 101805  
OVERALL DIMENSIONS  
57"H x 31"W x 30"L  
BASEBOARD DIMENSIONS  
23.5"W x 19"L

# CAT TREE

## INSTRUCTION MANUAL

## WARNINGS & CAUTIONS

PLEASE READ AND FOLLOW ALL WARNINGS AND INSTRUCTIONS TO AVOID PET INJURY OR PROPERTY DAMAGES.

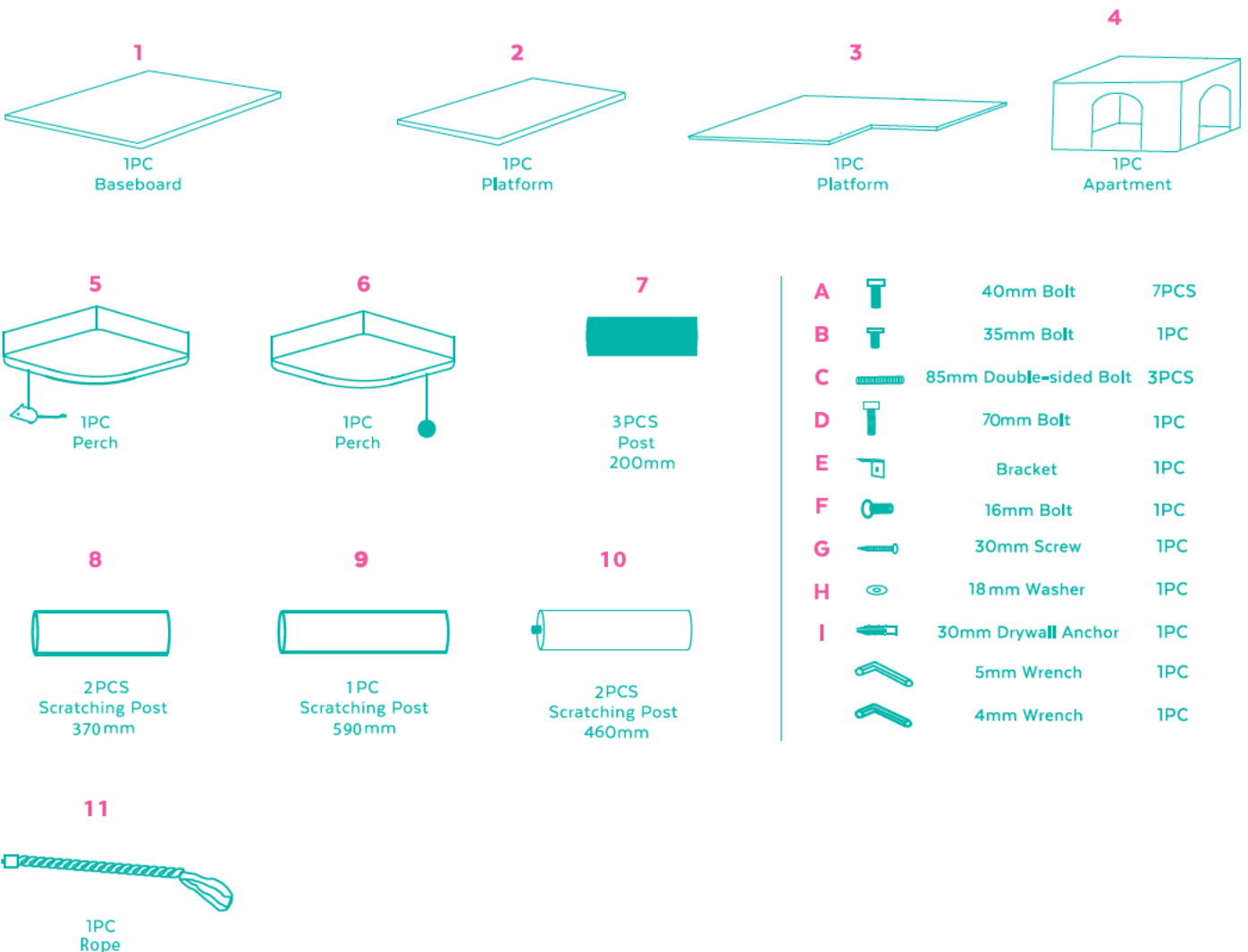
- Keep all tools and instructions in a safe place for future reference.
- Follow the instructions carefully and make sure you've completed each step.
- This cat tree is intended for cat use only, please keep children away.
- Keep all small parts away from children/pets to avoid choking hazards.
- Never climb, rock, shake, step or hang on the cat tree.
- Place your cat tree indoors, away from direct sunlight or damp areas.
- Cat trees should be placed on a flat, level surface for stability.
- Check your cat tree often for loose screws or parts that might need re-tightening.
- If your cat tree gets torn or damaged, please discard it.
- The product photo may vary slightly from your fully assembled cat tree as this product is continually being enhanced.

## CLEANING INSTRUCTIONS

Spot clean stains and vacuum fur (using small handheld or attachment) when necessary.

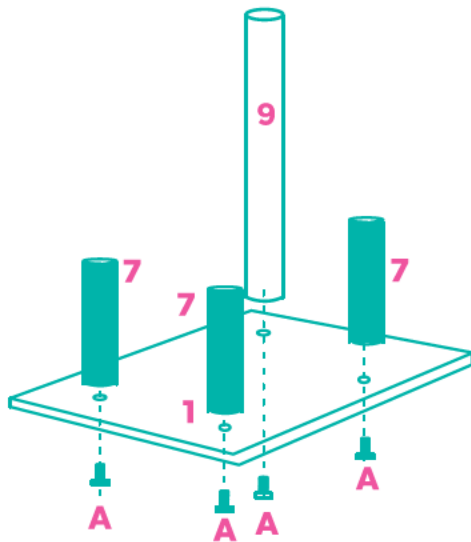
## COMPONENTS

Prior to assembly, be sure to identify and sort all components shown below.

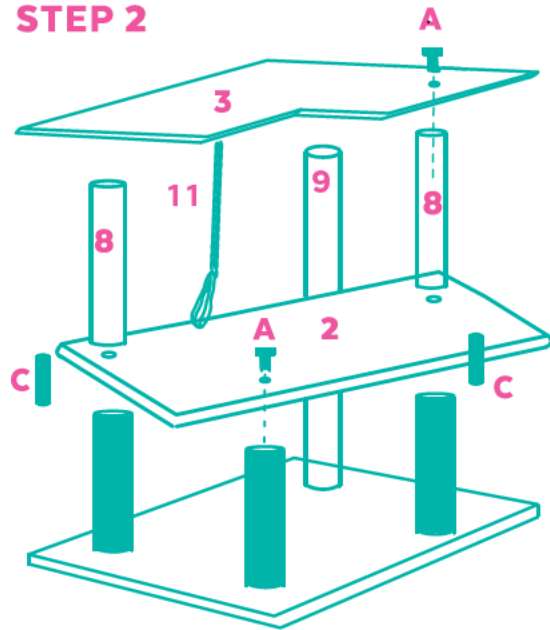


# ASSEMBLY INSTRUCTIONS

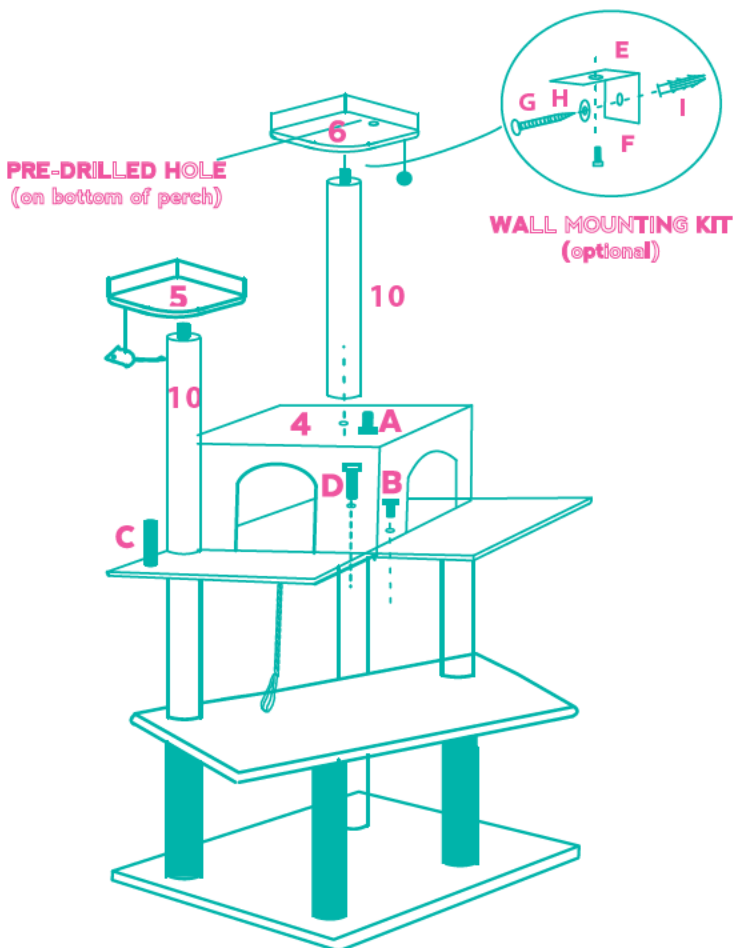
## STEP 1



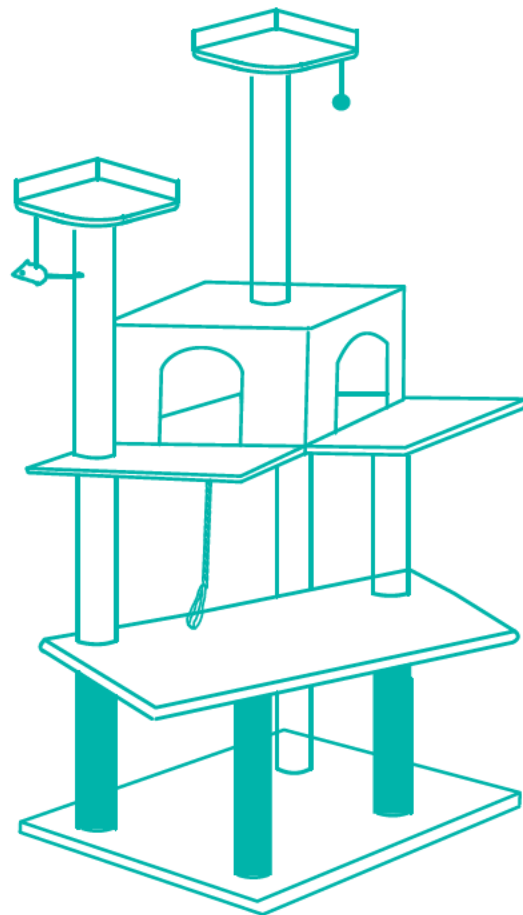
## STEP 2



## STEP 3



## FINISHED ASSEMBLY



# FULL ASSEMBLY

